

Storage A+ Server ASG-2015S-E1CR24H

2U front/top-loading storage server with 24 hot-swap 3.5" SAS/SATA bays (SAS hardware RAID) and PCIe 5.0



More details here

Key Applications

Enterprise Server, iSCSI SAN, HPC, Data Center, Database Processing & Storage, Corporate Database, Appliance Optimized Storage Building Blocks,

Key Features

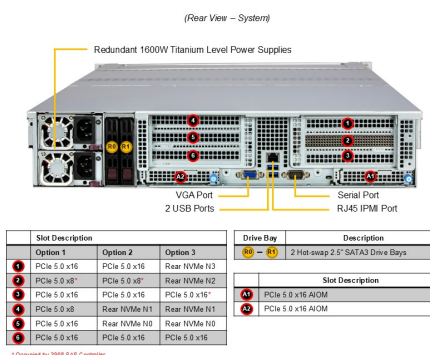
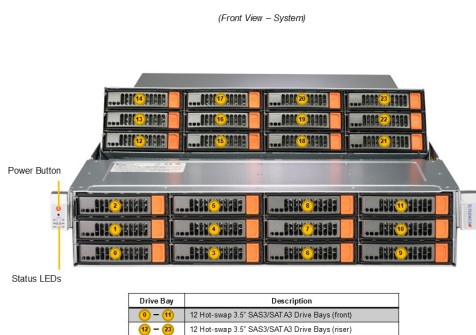
- Single AMD EPYC™ 9004/9005* Series Processor
(*AMD EPYC™ 9005 series drop-in support requires board revision 2.x);
- Support up to DDR5 12 DIMM slots (1DPC);
- Dedicated 2 PCIe 5.0 x16 AIOM slots (OCP 3.0 SFF compliant)
Up to 6 PCIe 5.0 slots (slot #2 populated by 3908 controller);
- Server remote management: IPMI 2.0 / KVM over LAN / Media over LAN per node;
- 24 Hot-swap 3.5" SAS3/SATA3 drive bays, 2 Rear SATA Slots, 4 Optional Rear NVMe Slots, 2 NVMe M.2 (form factor: 2280/22110);
- 4x 8cm hot-swap counter-rotate redundant PWM cooling fans;
- 1600W Redundant Power Supplies Titanium Level (96%);
- HW RAID support via Broadcom® 3908;



Form Factor	2U Rackmount Enclosure: (17.2" x 3.5" x 34") Package: (29" x 12" x 52")
Processor	Single processor(s) AMD EPYC™ 9004/9005 Series Processors (* AMD EPYC™ 9005 Series drop-in support requires board revision 2.x) Up to 84C/168T; Up to 384MB Cache
System Memory	Slot Count: 12 DIMM slots Max Memory (1DPC): Up to 3TB 4800MT/s ECC DDR5 RDIMM (AMD EPYC™ 9004 Series Processor) Max Memory (1DPC): Up to 4.5TB 6000MT/s ECC DDR5 RDIMM (AMD EPYC™ 9005 Series Processor)
Drive Bays Configuration	Default: Total 26 bays <ul style="list-style-type: none"> • 12 front hot-swap 3.5" SAS/SATA drive bays • 12 top-loading hot-swap 3.5" SAS/SATA drive bays • 2 rear hot-swap 2.5" SATA drive bays Option A: Total 28 bays <ul style="list-style-type: none"> • 12 front hot-swap 3.5" SAS/SATA drive bays • 12 top-loading fixed 3.5" SAS/SATA drive bays • 2 rear hot-swap 2.5" SATA drive bays • 2 rear hot-swap 2.5" NVMe drive bays Option B: Total 30 bays <ul style="list-style-type: none"> • 12 front hot-swap 3.5" SAS/SATA drive bays • 12 top-loading hot-swap 3.5" SAS/SATA drive bays • 4 rear hot-swap 2.5" NVMe drive bays • 2 rear hot-swap 2.5" SATA drive bays M.2: 2 M.2 NVMe slots (M-key 2280/22110)
Expansion Slots	Default <ul style="list-style-type: none"> • 4 PCIe 5.0 x16 FHHL slots • 2 PCIe 5.0 x8 FHHL slots • 2 PCIe 5.0 x16 AIOM slots (OCP 3.0 compatible) Option A <ul style="list-style-type: none"> • 3 PCIe 5.0 x16 FHHL slots • 1 PCIe 5.0 x8 FHHL slot • 2 PCIe 5.0 x16 AIOM slots (OCP 3.0 compatible) Option B <ul style="list-style-type: none"> • 2 PCIe 5.0 x16 FHHL slots • 2 PCIe 5.0 x16 AIOM slots (OCP 3.0 compatible)
On-Board Devices	Chipset: System on Chip

Input / Output

LAN: 1 RJ45 1 GbE Dedicated BMC LAN port
USB: 2 USB 3.0 ports(rear)
Video: 1 VGA port



System Cooling	Fans: Up to 4 Heavy Duty 8cm Fan(s) Air Shroud: 1 Air Shroud
Power Supply	2x 1600W Redundant (1 + 1) Titanium Level (96%) power supplies
System BIOS	BIOS Type: AMI 32MB SPI Flash EEPROM
Management	SuperCloud Composer®; Supermicro Server Manager (SSM); Supermicro Update Manager (SUM); Supermicro SuperDoctor® 5 (SD5); Super Diagnostics Offline (SDO); Supermicro Thin-Agent Service (TAS); SuperServer Automation Assistant (SAA) New!
PC Health Monitoring	CPU: 4+1 Phase-switching voltage regulator Monitors for CPU Cores, Chipset Voltages, Memory FAN: Fans with tachometer monitoring Pulse Width Modulated (PWM) fan connectors Status monitor for speed control Temperature: Monitoring for CPU and chassis environment Thermal Control for fan connectors
Dimensions and Weight	Weight: Gross Weight: 74.5 lbs (33.79 kg) Net Weight: 52 lbs (23.59 kg) Available Color: Silver
Operating Environment	RoHS Compliant Operating Temperature: 10°C to 35°C (50°F to 95°F) Non-operating Temperature: -40°C to 60°C (-40°F to 140°F) Operating Relative Humidity: 8% to 90% (Non-Condensing) Non-operating Relative Humidity: 5% to 95% (Non-Condensing)
Motherboard	Super H13SSW
Chassis	CSE-826S3TS-R1K62P1